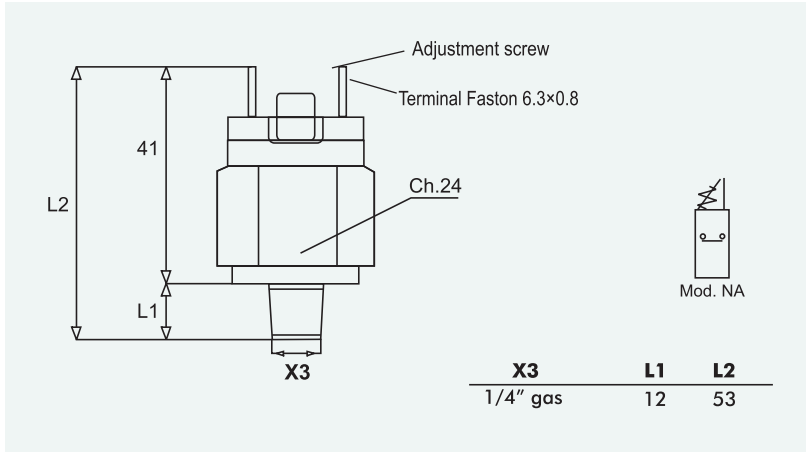


VACUUM SWITCH

MOD. 35



- **Case** : brass
- **Electric contacts** : Silver Plated
- **Max switched voltage** : V 48 / 230
- **Max switches current** : A 0.5
- **Max fluid temperature** : °C 80
- **Mechanical working life** : 10⁶ Operations
- **Action type** : 1B
- **Pollution situation** : Normal
- **Protection degree**
 - a) with cap 3015001 : IP 54
 - b) with Din cap 3900003 : IP 65 (Din Cap)
- **In according with EN 60730-I**
- **Diaphragm** : CR
- **Weight** : 60 gr. Max

PART NUMBER

	Setting range (in bar)	Tolerance @ 20°C (in bar)
35 1 1 1 4 9	-200 to -900	± 100



EUROSWITCH



HTA INSTRUMENTATION (P) LTD.,

An ISO 9001: 2015 Certified Company & NABL Accredited Calibration Laboratory as per ISO/IEC 17025:2017

Your One Stop For Instrumentation Supply, Automation & Calibration
73, Ramachandra Agrahara, Near T.R. Mills, Chamarajpet, Bangalore - 560018, INDIA.

Phone : 080-26749750, 26759253, 26740681 E-mail : sales@htaipl.com Website : www.htaipl.com



ISO 9001:2015 CERTIFIED
Certificate No. IQSC202010014