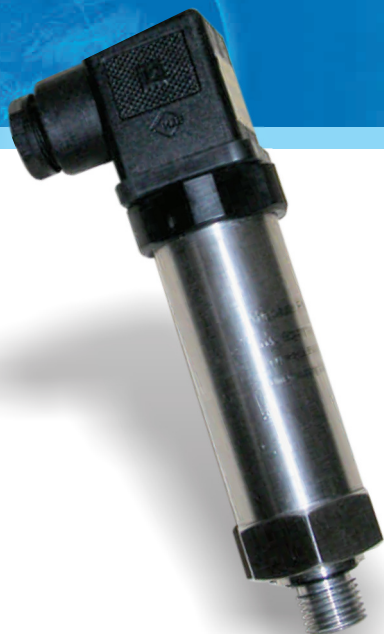


Vacuum Transmitter

EQ-PT 700V



• APPLICATION

- ✦ Vacuum Industry
- ✦ Food & Beverage Industry
- ✦ Pharmaceuticals
- ✦ Paper Industry

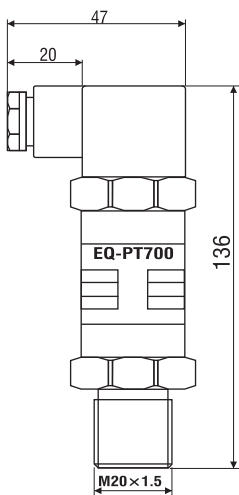
• FEATURES

- ✦ Absolute Pressure Reference
- ✦ 4~20mA Output
- ✦ Excellent Linearity & Long Term Stability
- ✦ Rugged & Reliable under most conditions
- ✦ Protection of Reversed Circuit
- ✦ SS Body Construction

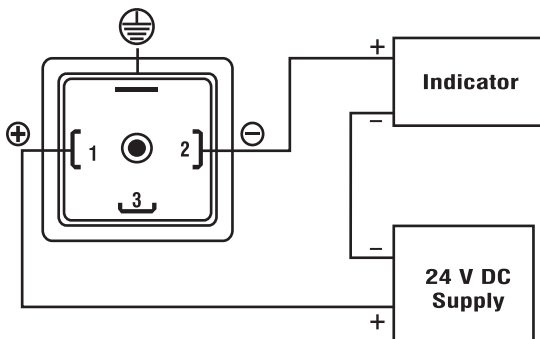
• TECHNICAL SPECIFICATION

◆ Measuring Range	0 to 1000 mBar
◆ Accuracy	≤ ± 0.5% F.S (including Linearity, Repeatability & Hysteresis)
◆ Long Term Stability	± 0.2% f.s
◆ Output	4 ~ 20mA
◆ Over Pressure	2.5 full times scale
◆ Sensor Type	Piezo Resistive
◆ Span & Full scale adjustment	± 10%
◆ Response time	10mSec
◆ Operating Temperature	- 40 to 85°C
◆ Process connection	¼" BSP Male
◆ Power Supply	12 to 30 VDC

• DIMENSION



• WIRING DIAGRAM



EQ-PT 700 - 04