

COUNTERS AND TIMERS

Equinox™

CE

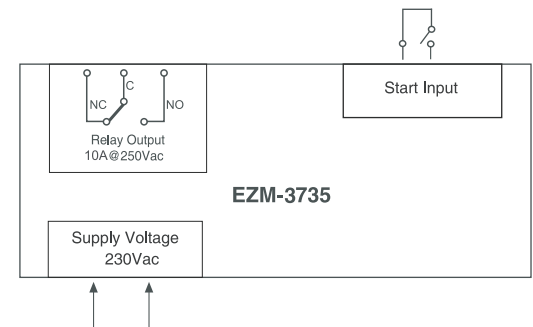
Features

- 4 Digits Display
- Operation with one set value
- Single Contact Output for Timing control (ON / OFF)
- External Start Input
- Start and Stop Possibility by front Panel
- Set Value high limit boundaries
- Display can be adjusted to show second, Minute and Hour
- Programmable Time Bases (Second, Minute, Hour)
- Adjustable internal buzzer according to Timer Stop status
- Password protection for programming section



MODEL : EYM - 3735

Specification



Input	:	Start Input
Output	:	Relay Output : Relay (16A@250Vac at resistive load)
Supply Voltage	:	230 Vac (-15% ; +10%) 50 / 60 Hz - 2.3VA
Environmental Rating &	:	Operation Temperature : 0 ~ 50°C
Physical Specification	:	Humidity : 0-90%RH (none condensing)
Dimension	:	77 X 35MM



HTA INSTRUMENTATION (P) LTD.,

An ISO 9001: 2015 Certified Company & NABL Accredited Calibration Laboratory as per ISO/IEC 17025:2017

Your One Stop For Instrumentation Supply, Automation & Calibration

73, Ramachandra Agrahara, Near T.R. Mills, Chamarajpet, Bangalore - 560018, INDIA.

Phone : 080-26749750, 26759253, 26740681 E-mail : sales@htaipl.com Website : www.htaipl.com

