

COMBINATION CONTACT AND NON - CONTACT TACHOMETER

Models

DT-205LR

LCD model with 6" circumference measuring wheel.

DT-207LR

LED model with 6" circumference measuring wheel.

DT-205LR-12

LCD model with 12" circumference measuring wheel.

DT-207LR-12

LED model with 12" circumference measuring wheel.

Features

- High-precision laser measures from distances up to 14 feet.
- Includes traceable calibration certificate.
- Built-in memory for last, maximum, minimum and 10 separate readings.
- DT-200 Series gauges are supplied as a complete kit (see page 2).



DT - 200LR Series

DT-200LR models feature an improved laser dot that is brighter and smaller than the previous model allowing use on a smaller "target" (reflective tape) and for measurement from greater distances. The screw-in contact adapter makes it quick & easy to convert from non-contact to contact operation.



DT-200LR Series gauges are supplied as a complete kit, details on side 2.

DT-200LR Series

Measuring Range	Non-Contact: 6 to 99,999 rpm Contact: 0.8 to 25,000 rpm
Accuracy	6 to 8,299 rpm: ±1 rpm 8,300 to 24,999 rpm: ±2 rpm 25,000 to 99,999 rpm: ±0.006% rpm
Display	LCD model 5 digit 0.47"(12mm)high LED model 5 digit 0.4"(10mm)high
Measuring Units per Minute	Revolutions, meters, yards, feet, inches
Total Length	Meters, yards, feet, inches
Measuring Distance	14 feet (5.2 m) maximum
Detection	Laser Diode, Class II
Memory	13 readings are stored in memory and retained for 5 minutes (last, max., min., and 10 measurements)
Over-Range Indicator	Flashing numerals
Update Time	1 second (typical)
Batteries	Two 1.5 V AA
Battery Life	DT-205LR approx 40 hrs DT-207LR approx 25 hrs
Operating Temp	32° to 113°F (0 to 45°C)
Construction	Die-cast aluminum housing
Weight	0.8 lbs (365 g)
Dimensions	6.6" L x 2.4" W x 1.8" H (167mm x 61mm x 45.7)
Warranty	1 year
Accessories Included	Reflective tape, cone adapter, surface speed wheel DT-ADP-200LR contact adapter and carrying case

LCD Display (DT-205LR)



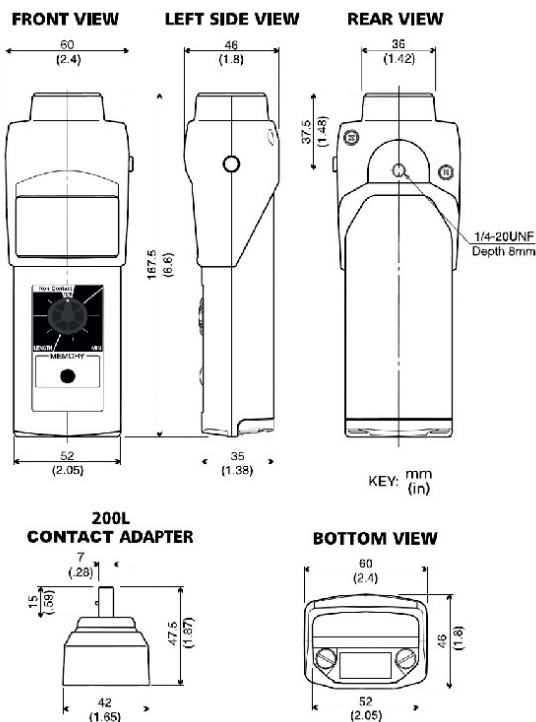
Use LCD models in bright sunlight and for longest battery life.

LED Display (DT-207LR)

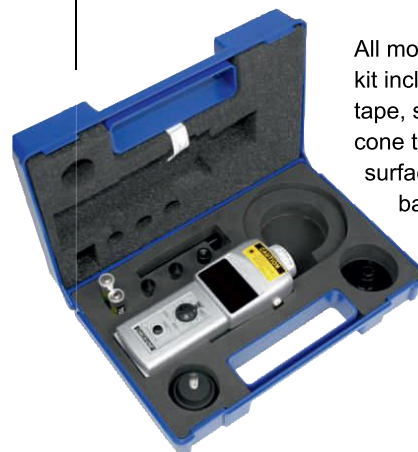


Use LED models in dark or poorly lit environments.

Accessories



Complete Kit



All models are supplied as a complete kit including the tachometer, reflective tape, screw-in contact adapter, two cone tips, funnel tip, shaft extension, surface speed wheel, two AA batteries and an operating instruction manual—all supplied in a foam-fitted carrying case.



HTA INSTRUMENTATION (P) LTD.,

An ISO 9001: 2015 Certified Company & NABL Accredited Calibration Laboratory as per ISO/IEC 17025:2017

Your One Stop For Instrumentation Supply, Automation & Calibration

73, Ramachandra Agrahara, Near T.R. Mills, Chamarajpet, Bangalore - 560018, INDIA.

Phone : 080-26749750, 26759253, 26740681 E-mail : sales@htaipl.com Website : www.htaipl.com

