

# Wind Speed Sensor



**EQ - FST201** Wind Speed Sensor is based on Hall Effect. The cup turns round once be blown. The wind speed variable transfer into relative signal output. The base is made of high strength alloy and finish by surface treatment and is featured with water proof, corrosion resisting. It can be used in harsh environment.

High - Performance Digital Circuit is built in FST Wind Speed Sensors. It carefully designed the working condition of RFI & EMI resistance and the surge voltage. It is featured with strong RFI & EMI resistance, wide power range and polarity protection, meeting ICE. CE (EMC) requirement. It can meet demands of working aloft, construction machinery, port operation, wind power generation system.

## Features

- Excellent Resistance against impact, overload, shock and erosion
- Small and Exquisite, Easy to take, Simple to install
- Alloy Material finish, Reasonable Structure design and nice outlook quality
- Stainless steel wind cup, Anti - Wind load can reach 70m/s

## Applications

- Working Aloft Testing and Control
- Engineering Machine Testing and Control
- Weather Station and Environment Protection Testing and Control
- Port and wharf Environment Testing and Control



## Specifications

**EQ-FST200-2012111-10M**

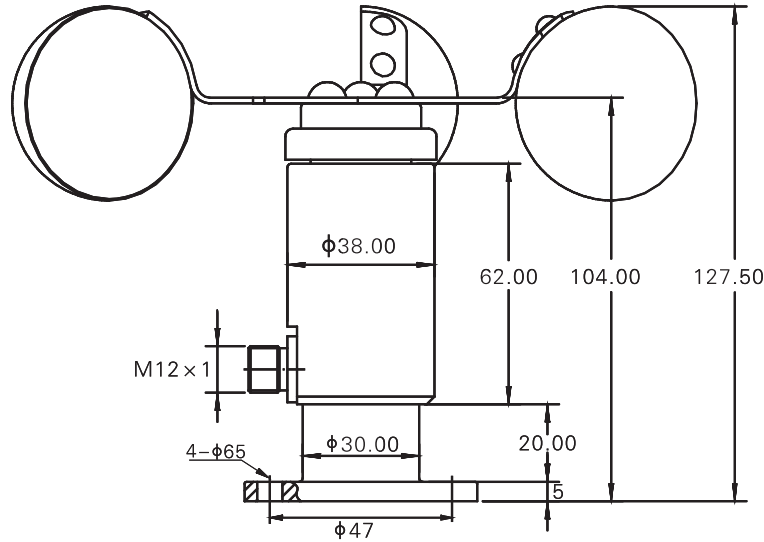
Testing Range	0.5m/s ~ 50m/s
Accuracy	± 0.5 m/s (<5m/s), ± 3% FS (≥ 5m/s)
Start Wind Speed	≤ 0.5 m/s
Limit Wind Speed	Max : 70m/s 30min
Output	Pulse signal ( HZ), 05VDC, 4~20mA
Working Voltage	5VDC, 24VDC, 12 ~ 36VDC (common 24VDC)
Working Environment	Temp. -20 °C ~ +85 °C      Humidity < 95 % RH
Electrical Connection	M12 with 10 Mtrs Cable
Environmental Protection	IP65 with CE Mark

M12 Connection	Potential Lead	Output Signal	Serial NO	Wiring Method	
	3-Wire	Current mode	1	+Vcc	Brown
			2	+Vout	White
			3	GND	Blue
			4	PE	Black
	3-Wire	Voltage mode	1	+Vcc	Brown
			2	+Vout	White
			3	GND	Blue
			4	PE	Black
	3-Wire	Pulse mode	1	+Vcc	Brown
			2	+P'ovt	White
			3	GND	Blue
			4	PE	Black

# Wind Speed Sensor

**Equinox**™

## Dimension

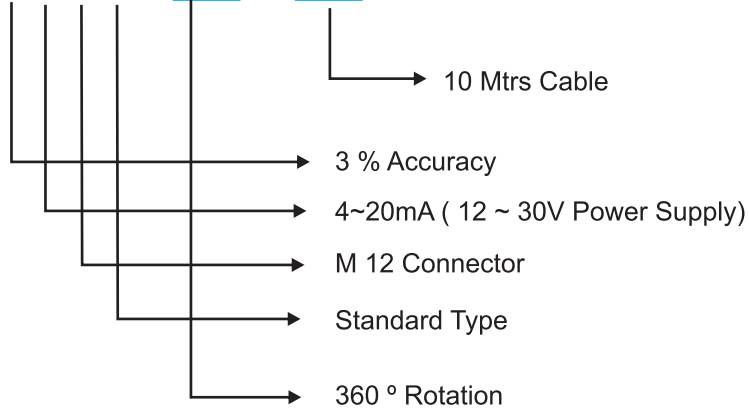


## Ordering Code

**FST 200 - 201 2 1 1 1 - 360D - 10M**

Main Product Code

Wind Speed



**HTA INSTRUMENTATION (P) LTD.,**

An ISO 9001: 2015 Certified Company & NABL Accredited Calibration Laboratory as per ISO/IEC 17025:2017

Your One Stop For Instrumentation Supply, Automation & Calibration

# 73, Ramachandra Agrahara, Near T.R. Mills, Chamarajpet, Bangalore - 560018, INDIA.

Phone : 080-26749750, 26759253, 26740681 E-mail : sales@htaipl.com Website : www.htaipl.com

