



## EQ-PT 700A

### • APPLICATION

- ✦ Vacuum Industry
- ✦ Food & Beverage Industry
- ✦ Pharmaceuticals
- ✦ Paper Industry
- ✦ Hydraulic
- ✦ Chemical Industry

### • FEATURES

- ✦ Absolute Pressure Reference
- ✦ 4 ~ 20mA Output
- ✦ Excellent Linearity & Long Term Stability
- ✦ Rugged & Reliable under most conditions
- ✦ Protection of Reversed Circuit
- ✦ SS Body Construction

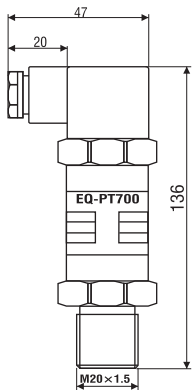
### • TECHNICAL SPECIFICATION

◆ Measuring Range	0...1 to 1000 Bar
◆ Accuracy	≤ ± 0.5% F.S (including Linearity, Repeatability & Hysteresis)
◆ Long Term Stability	± 0.2% f.s
◆ Output	4 ~ 20mA
◆ Over Pressure	2.5 full times scale
◆ Sensor Type	Piezo Resistive
◆ Span & Full scale adjustment	± 10%
◆ Response time	10mSec
◆ Operating Temperature	-40 to 85°C
◆ Process connection	¼" BSP Male
◆ Power Supply Voltage	12 to 30 VDC

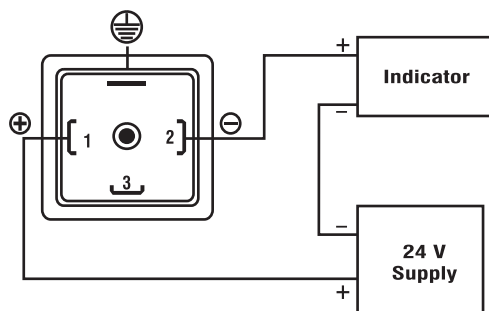
### • MEASUREMENT RANGES

Order Code	Operating Ranges	Order Code	Operating Ranges
EQ-PT 700 – 5	2 Bar Absolute	EQ-PT 700 – 10	100 Bar Absolute
EQ-PT 700 – 6	4 Bar Absolute	EQ-PT 700 – 11	250 Bar Absolute
EQ-PT 700 – 7	6 Bar Absolute	EQ-PT 700 – 12	400 Bar Absolute
EQ-PT 700 – 8	10 Bar Absolute	EQ-PT 700 – 13	600 Bar Absolute
EQ-PT 700 – 9	35 Bar Absolute	EQ-PT 700 – 14	1000 Bar Absolute

### • DIMENSION



### • WIRING DIAGRAM



### • ORDER CODE

