

Features :

- 6 Digit Bright LED
- 2 Relay Output
- RS-485 / Modbus RTU Communication

SPI-94 are the flow meters designed to work in tandem with the pulse flow transducers with current input of 0~20 mA or 4 ~ 20 mA. Wide balance range (up to 13 significant digits) enables flow volume control for a long time.

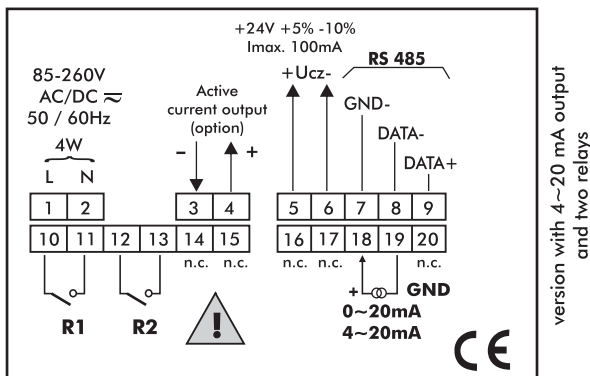


SPP - 94

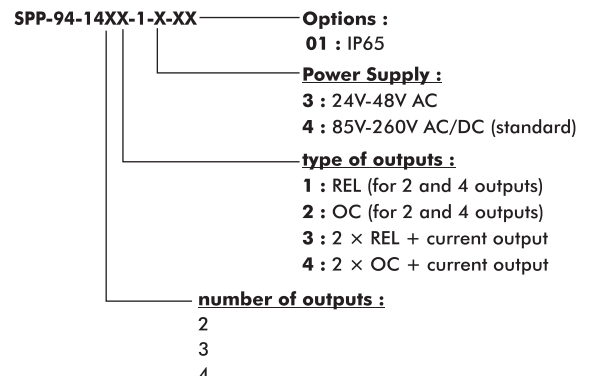
Technical Specification :

Display	6 digit Red LED, 13 mm height
Measuring Range	0 ÷ 999999 + decimal point
Input	Current 0~20 mA or 4~20 mA, programmable, overload protected, input current limited to about 40 mA
Outputs	2 × Relays 1A/250V AC
Resistance of Measuring Input	50 Ω
Transducer power supply output	24V DC +5% -10%/max. 100 mA, stabilized
Communication interface	RS 485, 8 N1, 2400 bit/s to 115200 bit/s, Modbus RTU protocol
Data Memory	non-volatile memory, EEPROM type
Power Supply	85 ÷ 260VAC/DC to 260VAC
Operating temperature	0 °C ÷ +50 °C
Storage temperature	10 °C ÷ +70 °C
Protection class	IP 65 (front side when an additional frame is installed); IP 40 (front side); IP 20 (case & connection clips)
Case	Board
Case material	NORYL - GFN2SE1
Dimensions	96 × 48 × 100mm

Exemplary pin assignment :



Ordering :



HTA INSTRUMENTATION (P) LTD.,

An ISO 9001: 2015 Certified Company & NABL Accredited Calibration Laboratory as per ISO/IEC 17025:2017

Your One Stop For Instrumentation Supply, Automation & Calibration

73, Ramachandra Agrahara, Near T.R. Mills, Chamaraajpet, Bangalore - 560018, INDIA.

Phone : 080-26749750, 26759253, 26740681 E-mail : sales@htaipl.com Website : www.htaipl.com

