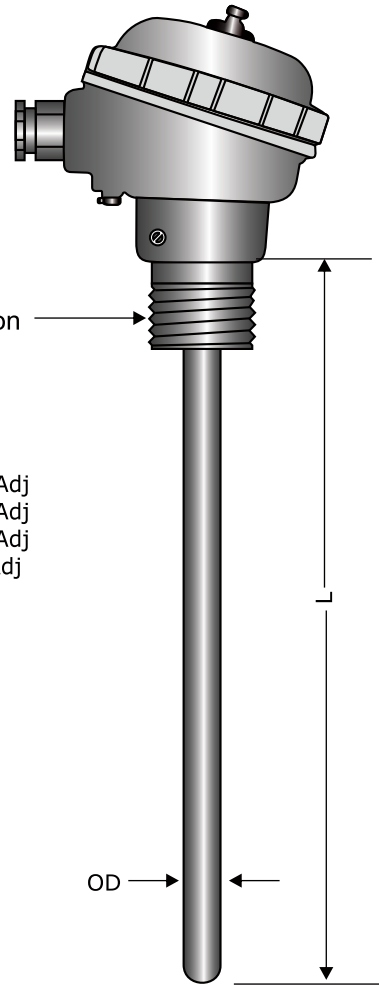
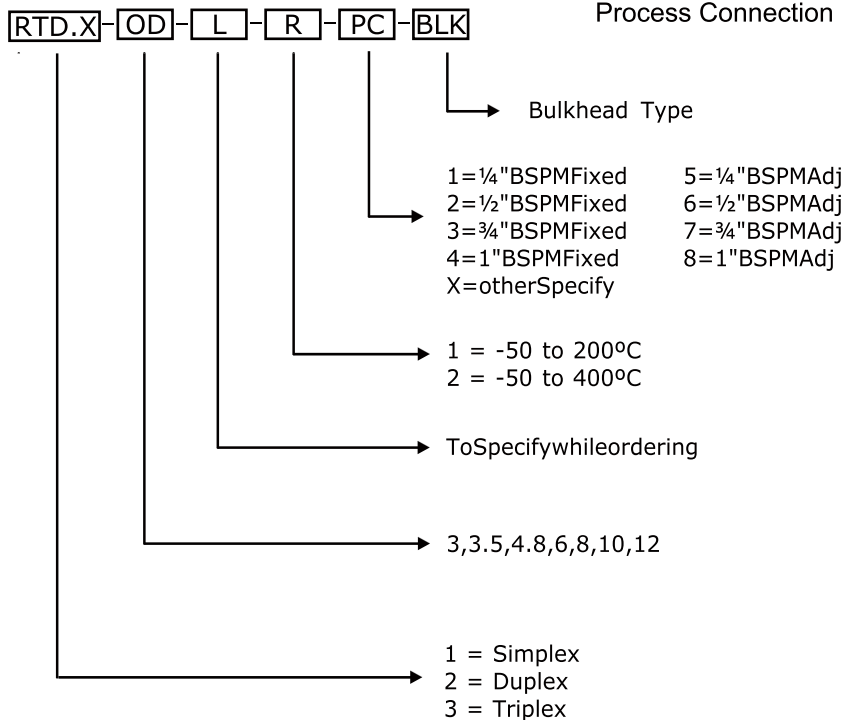


Bulkhead Temperature Sensor (RTD Type)



ORDER CODE



NOTE :

1. Above given Dimensions are in mm.
2. Sheath Material available are SS-304, SS-316, Titanium etc.,
3. Compensating cable need to be ordered separately
4. Cable Types : Teflon / Teflon, Teflon Shielded Teflon, Silicon, SS Braided etc.
5. Required Thermowell need to be ordered separately



HTA INSTRUMENTATION (P) LTD.,

An ISO 9001: 2015 Certified Company & NABL Accredited Calibration Laboratory as per ISO/IEC 17025:2017

Your One Stop For Instrumentation Supply, Automation & Calibration

73, Ramachandra Agrahara, Near T.R. Mills, Chamarajpet, Bangalore - 560018, INDIA.

Phone : 080-26749750, 26759253, 26740681 E-mail : sales@htaipl.com Website : www.htaipl.com



Bulkhead Temperature Sensor

(Thermocouple Type)

ORDER CODE

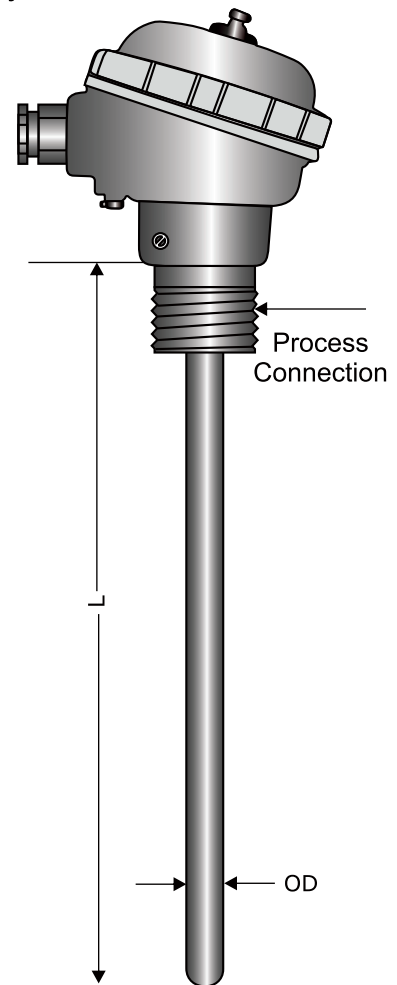
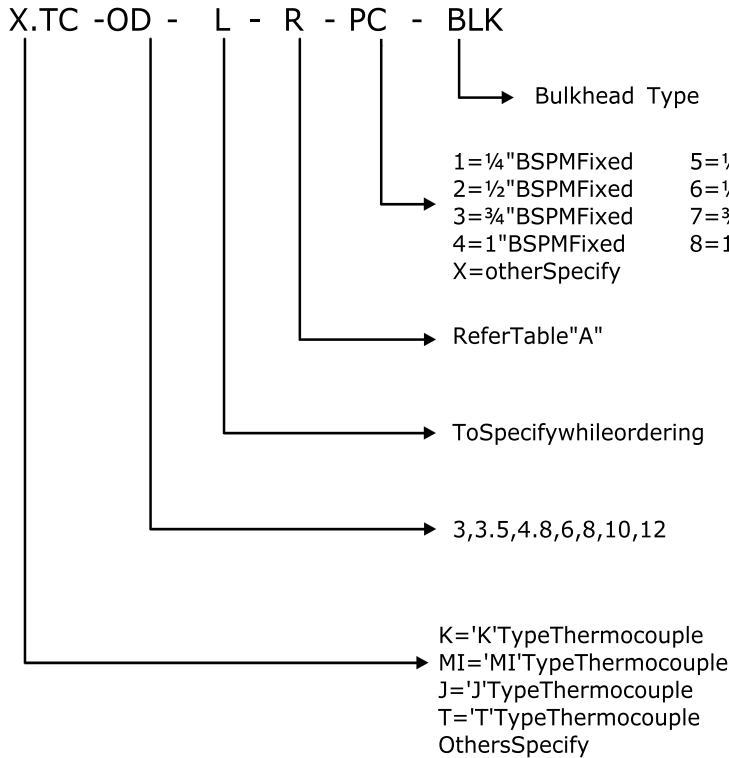


Table - A

Code	Type of T/C	Range
1	K	-20 to 200°C
2	K	-20 to 400°C
3	K	0 to 600°C
4	K	0 to 800°C
5	MI - INCONEL	0 to 1100°C
6	J	0 to 600°C
7	T	50 to 200°C

NOTE :

1. Above given Dimensions are in mm.
2. Sheath Material available are SS-304, SS-316, Titanium etc.,
3. Compensating cable need to be ordered separately
4. Cable Types : Teflon / Teflon, Teflon Shielded Teflon, Silicon, SS Braided etc.
5. Required Thermowell need to be ordered separately



HTA INSTRUMENTATION (P) LTD.,

An ISO 9001: 2015 Certified Company & NABL Accredited Calibration Laboratory as per ISO/IEC 17025:2017

Your One Stop For Instrumentation Supply, Automation & Calibration

73, Ramachandra Agrahara, Near T.R. Mills, Chamarajpet, Bangalore - 560018, INDIA.

Phone : 080-26749750, 26759253, 26740681 E-mail : sales@htaipl.com Website : www.htaipl.com

