

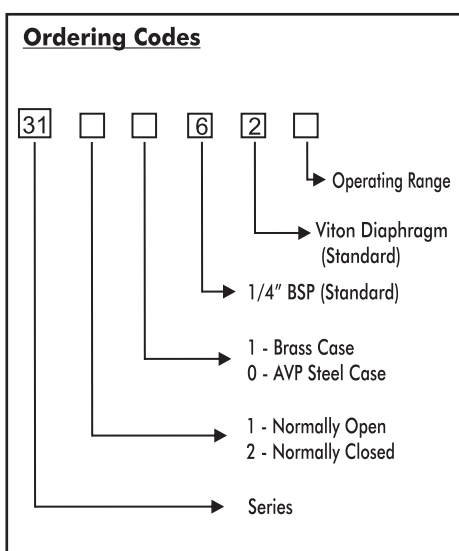
Pressure Switch - 31 Series

CE



Normally Open Contact Type	Normally Closed Contact Type	Setting Range (in bar)	Tolerance @ 20°C (in bar)	Max Over Pressure limit(in bar)	Max Working Pressure (in bar)
311 0 6 2 0	312 0 6 2 0	0.1 to 1	± 0.1	300	150
311 0 6 2 1	312 0 6 2 1	1 to 5	± 0.3		
311 0 6 2 2	312 0 6 2 2	1 to 10	± 0.5		
311 0 6 2	312 0 6 2	5 to 20	± 0.5		
311 0 6 2 3	312 0 6 2 3	10 to 20	± 1.0		
311 0 6 2 4	312 0 6 2 4	20 to 50	± 2.0		

Case	Zinc Plated steel or brass (optional)
Electric contact	Silver plated
Max switches current	5A / 250 VAC
Max fluid temperature	120°C
Mechanical working life	10 ⁶ Operations
Diaphragm	Viton (F & M)
Protection degree	
a) with cap 3015001	IP 54
b) with Din cap 3900001	IP 65 (Din Cap)
c) with Connector 3900200	IP 65
Process Connection	1/4" BSP Male, others on request
Weight	70 gms



HTA INSTRUMENTATION (P) LTD.,

An ISO 9001: 2015 Certified Company & NABL Accredited Calibration Laboratory as per ISO/IEC 17025:2017

Your One Stop For Instrumentation Supply, Automation & Calibration

73, Ramachandra Agrahara, Near T.R. Mills, Chamarajpet, Bangalore - 560018, INDIA.

Phone : 080-26749750, 26759253, 26740681 E-mail : sales@htaip.com Website : www.htaip.com

